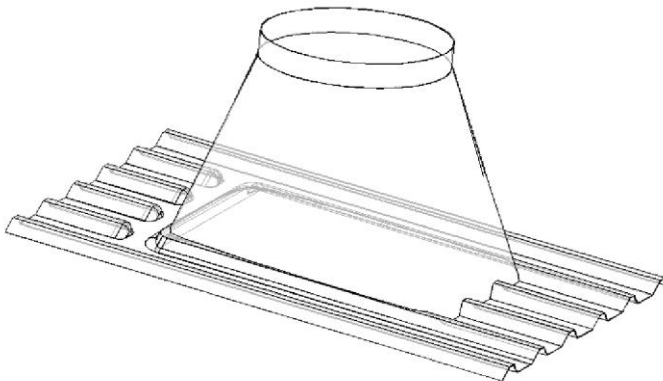
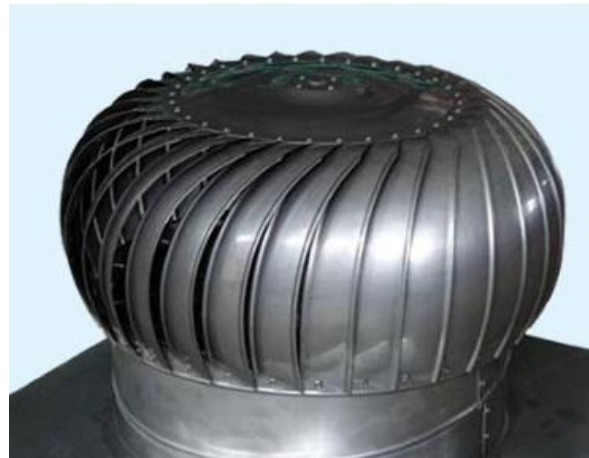


**DURAVENT - Aluminium 21 ' / 24 ' inch**

**BENEFITS**

- ⬆ **Fit & Forget 'Maintenance Free'**
- ⬆ **Zero operating Cost** - works on Wind Energy
- ⬆ Assured 24 x7 ventilation
- ⬆ Dual benefit of Natural lighth & Ventilation
- ⬆ Easy Installation
- ⬆ Whisper Quite Operation
- ⬆ Creates a healthier environment
- ⬆ Thus increases productivity
- ⬆ Qualifies for accelerated depreciation-
- ⬆ 80% as per Section 32 of IT Act



**SPECIFICATION**

Turbovent Dia	21' 24' inch
FRP Base Length	1800 mm
FRP Base Width	1072 mm *

\* may change according to roofing profile sheet

**APPLICATION**

Automobile Industry, Food Industry, Textile Industry, Chemical Industry, Engineering Industry, Pharmaceutical Industry, Boiler House, Power Plant, Steel Industry, Residence, Public Halls, etc